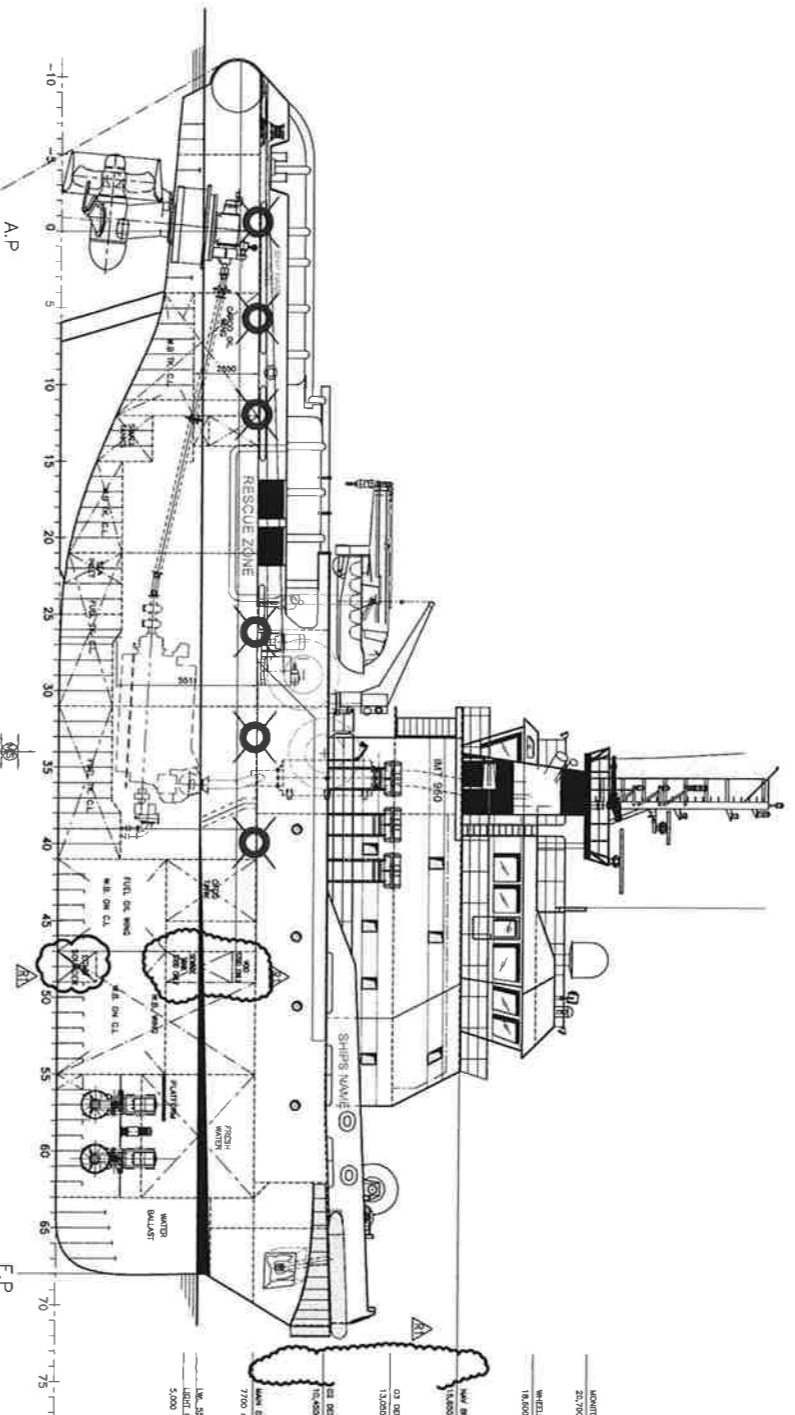


STERN VIEW - looking forward



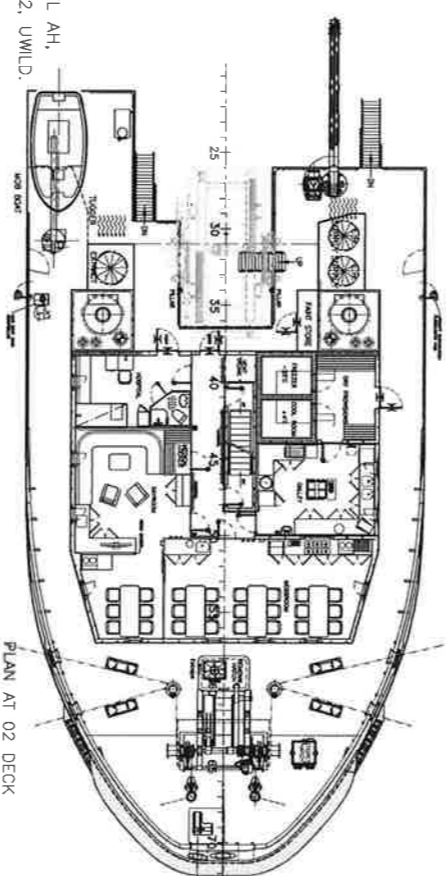
PROFILE

- MONITOR PLATFORM  
25,700mm A/B
- WHEELHOUSE TOP  
18,800mm A/B
- WHD BOLLARD DECK  
18,800mm A/B
- WHD BOLLARD DECK  
18,800mm A/B
- DECK  
13,200mm A/B
- DECK  
7,700 mm A/B
- DECK  
7,700 mm A/B

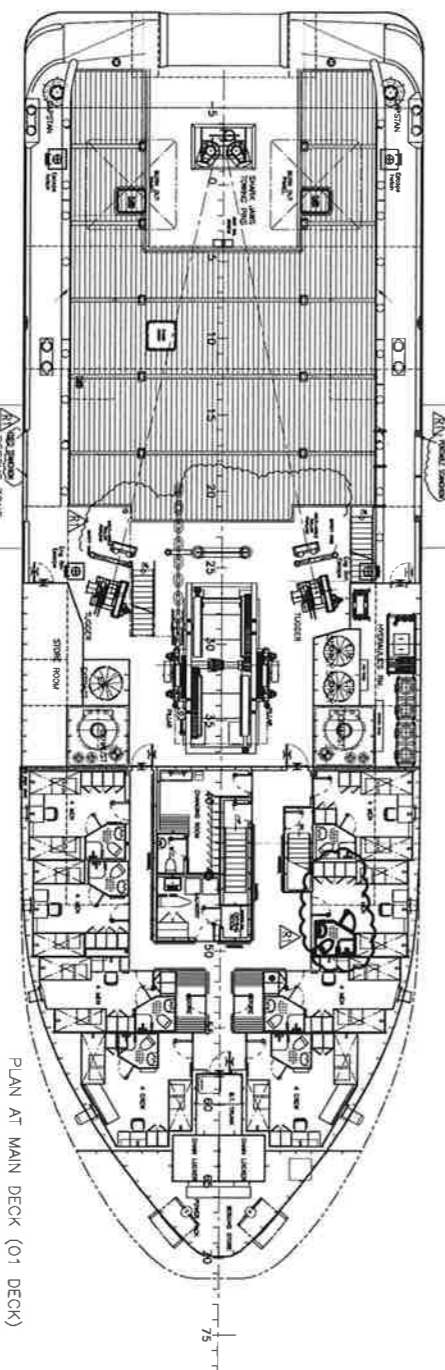
**MAIN PARTICULARS**

LENGTH o.a.	50,00 m
LENGTH b-p.	40,80 m
LENGTH w/l	46,17 m
BREADTH w/l	15,50 m
DEPTH mid.	7,70 m
DEPTH mid.	5,50 m
DRAFT - max	5,00 m
DRAFT - light	900 t
DEADWEIGHT	105 t
BOLLARD PULL	600 mm
Frame Spacing	

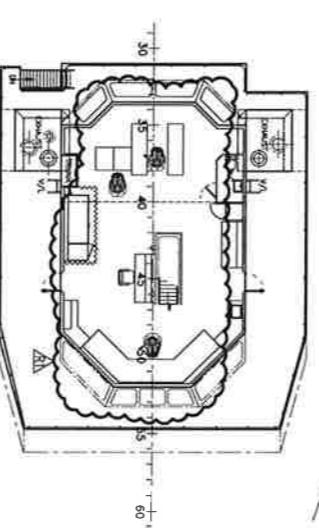
**CLASSIFICATION**  
AMERICAN BUREAU OF SHIPPING FOR VESSELS UNDER 90 METRES WITH A NOTATION:  
\* AT TOWING VESSEL, OFFSHORE SUPPORT VESSEL AH, FIRE FIGHTING VESSEL CLASS I, (E), \* AMS, DP-2, UWLD.



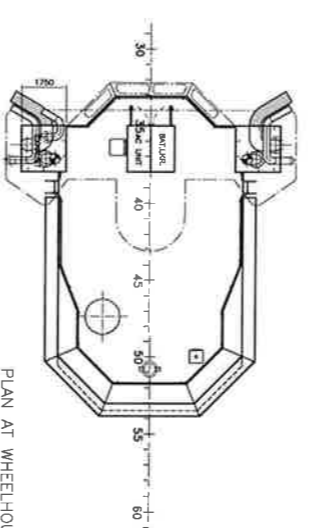
PLAN AT 02 DECK



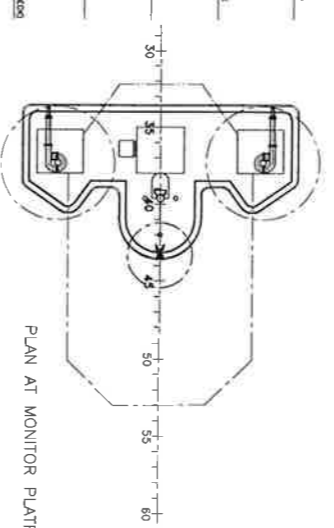
PLAN AT MAIN DECK (01 DECK)



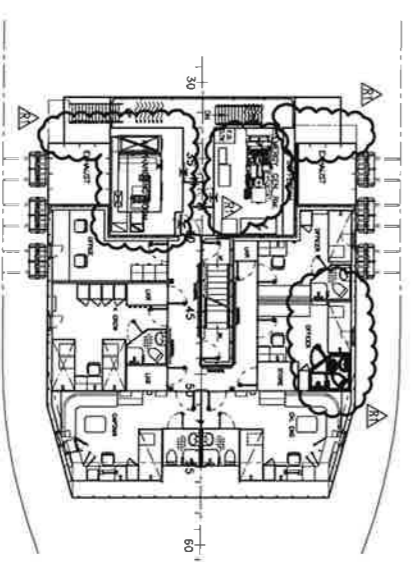
PLAN AT NAVBRIDGE DECK



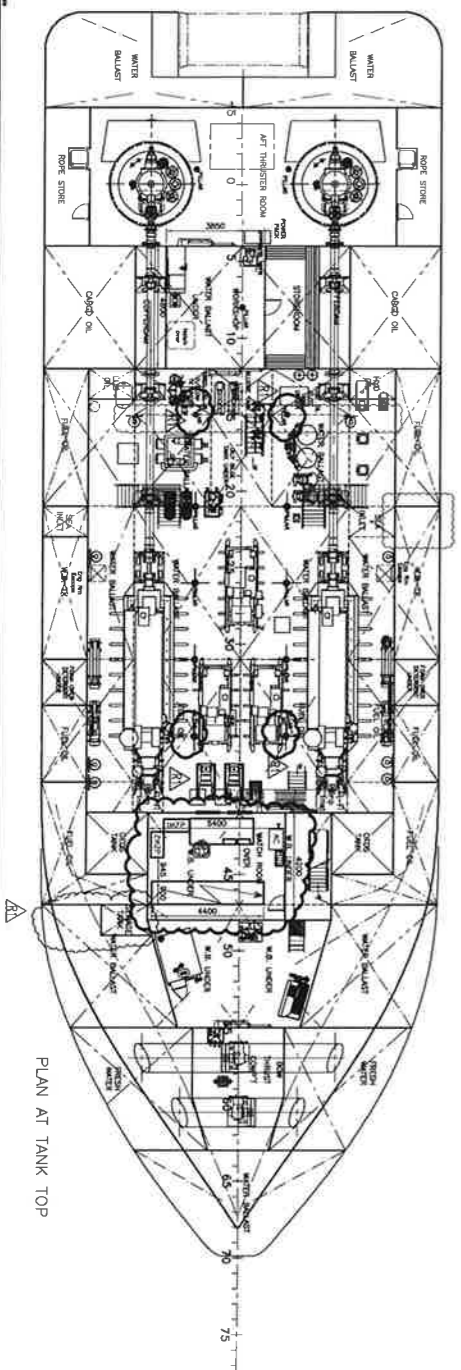
PLAN AT WHEELHOUSE TOP



PLAN AT MONITOR PLATFORM



PLAN AT 03 DECK



PLAN AT TANK TOP

<p>OFFSHORE SHIP DESIGNERS</p>	
CLIENT	105T BOLLARD PULL TOWING VESSEL
PROJECT	GENERAL ARRANGEMENT DP2 VERSION
DATE	10/11/13
REV	1
SCALE	1:100
DWG NO.	10094 - 101